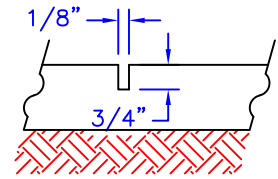
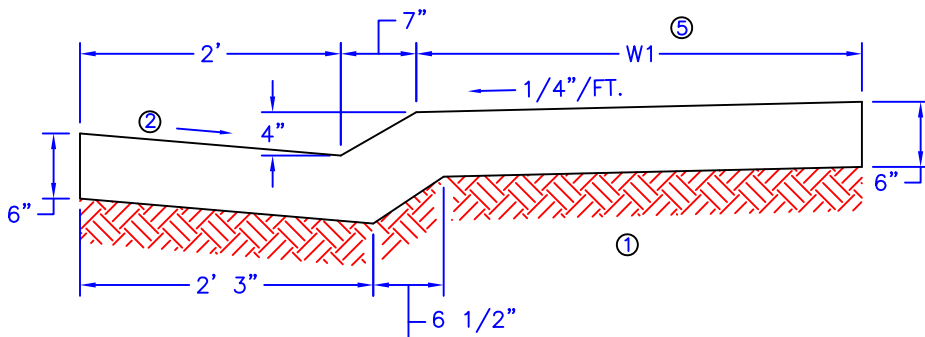


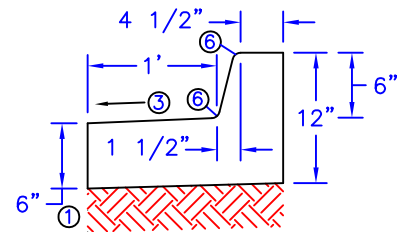
VERTICAL COMBINATION CURB, GUTTER & WALK  
(MONOLITHIC)



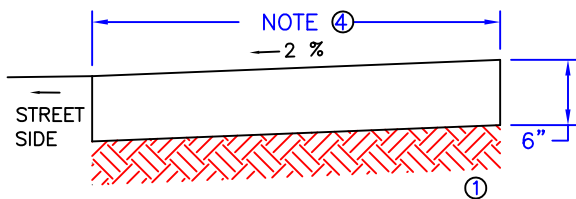
CONTROL JOINT



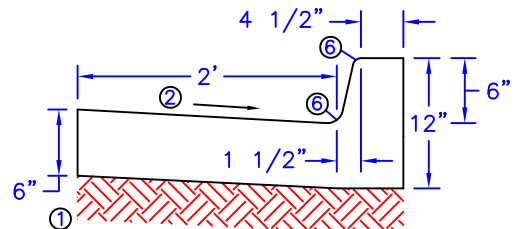
COMBINATION CURB & GUTTER AND WALK



MEDIAN CURB & GUTTER



DETACHED WALK OR DRIVE TIE-IN



VERTICAL CURB & GUTTER

NO SCALE

NOTES:

- ① COMPACTED SUBGRADE
- ② GUTTER CROSS SLOPE SHALL BE 1"/ft
- ③ GUTTER CROSS SLOPE SHALL BE 1/2"/ft
- ④ DETACHED SIDEWALK WIDTH SHALL BE 5'-0" FOR NEW CONSTRUCTION
- ⑤ W=5'-6" AND W1=4'-11" TYPICAL (MIN. REQUIRED FOR NEW CONSTRUCTION)
- ⑥ 1 1/2" RADIUS

ADAMS COUNTY  
TRANSPORTATION DEPARTMENT  
/ENGINEERING

4430 S. ADAMS COUNTY PKWY.  
BRIGHTON, CO 80601

CURB, GUTTER  
& WALK

REVISION DATE:  
06/02/14

FILE NAME:  
CG&W\_D.DWG

ADAMS COUNTY  
TRANSPORTATION DEPARTMENT  
/CONSTRUCTION INSPECTION

4430 S. ADAMS COUNTY PKWY.  
BRIGHTON, CO 80601